

- +FB MAIN SUPPLY FUSE BOX
- Qx RESIDUAL CURRENT CIRCUIT BREAKER In/Id(A)
- Fx MAIN FUSE If(A)
- +B BOILER POWER BOARD
- F11 MAIN CIRCUIT BREAKER \*see table
- KF11 REMOTE SWITCH
- Kx HEATER CONTACTOR
- +BO HEATER BOX
- Ex HEATER

\*\* TIGHTENING:  
Tightening torque: 2,5 – 3 Nm  
Round wire, solid: 1,5 – 50 mm<sup>2</sup>  
Stranded wire: 1,5 – 50 mm<sup>2</sup>

**mobiheat**

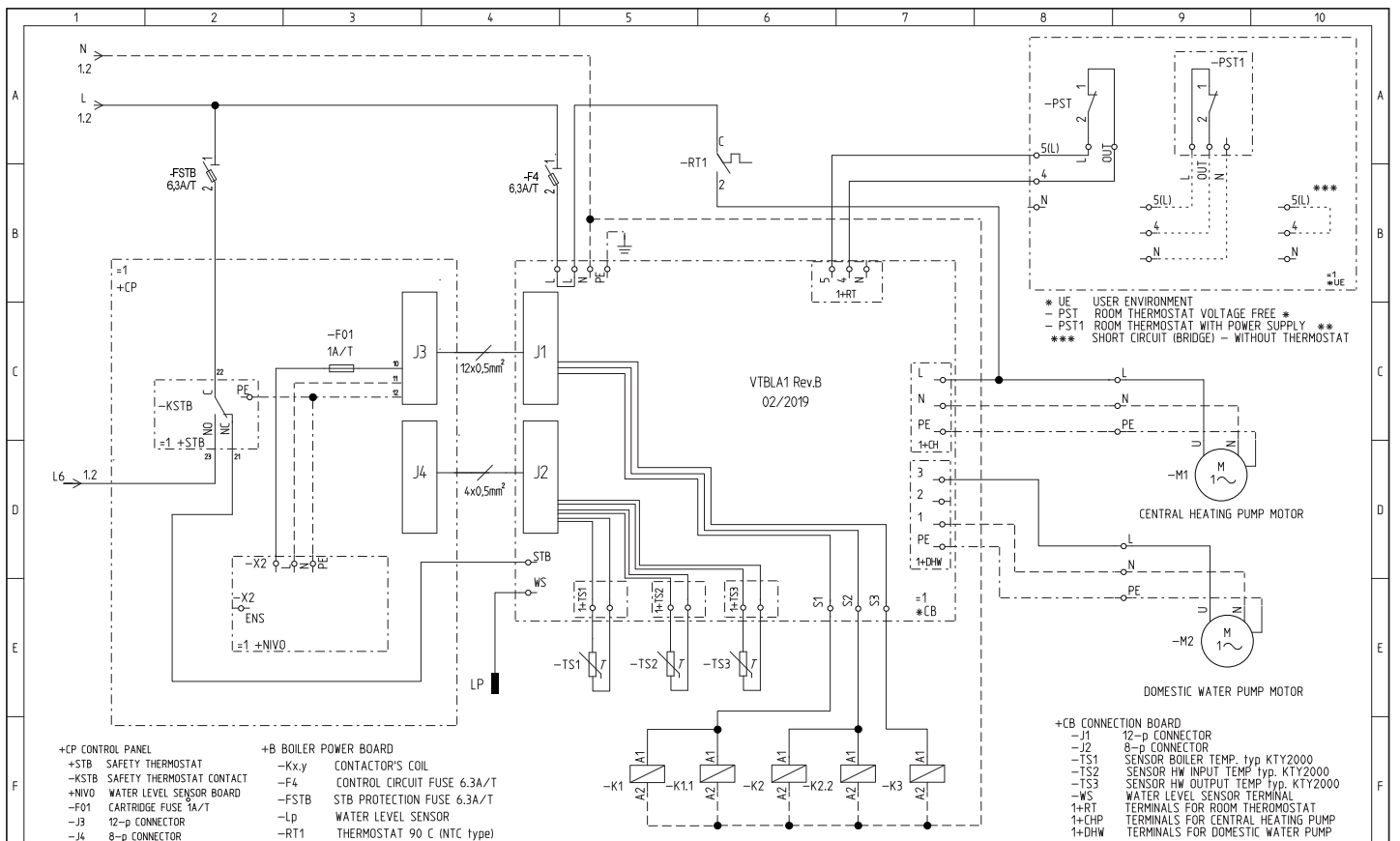
Designed by: Pletikosa T.  
Checked by: Gojkovic Z.

Project: TERMO KOMBI 40kW, 400V 3N ~ 50Hz

File name: 40kW 400VAC-E  
Date: 20.3.2020.

Page description: POWER DISTRIBUTION  
Function: =1 Location: +B All pages: 3

Page: 1  
Version: V07



- \* UE USER ENVIRONMENT
- PST ROOM THERMOSTAT VOLTAGE FREE \*
- PST1 ROOM THERMOSTAT WITH POWER SUPPLY \*\*
- \*\*\* SHORT CIRCUIT (BRIDGE) – WITHOUT THERMOSTAT

- +CB CONNECTION BOARD
- J1 12-p CONNECTOR
- J2 8-p CONNECTOR
- TS1 SENSOR BOILER TEMP. typ. KTY2000
- TS2 SENSOR HW INPUT TEMP. typ. KTY2000
- TS3 SENSOR HW OUTPUT TEMP. typ. KTY2000
- WS WATER LEVEL SENSOR TERMINAL
- +RT ROOM THERMOSTAT TERMINALS
- +CHP TERMINALS FOR CENTRAL HEATING PUMP
- +DHW TERMINALS FOR DOMESTIC HEATING PUMP

**mobiheat**

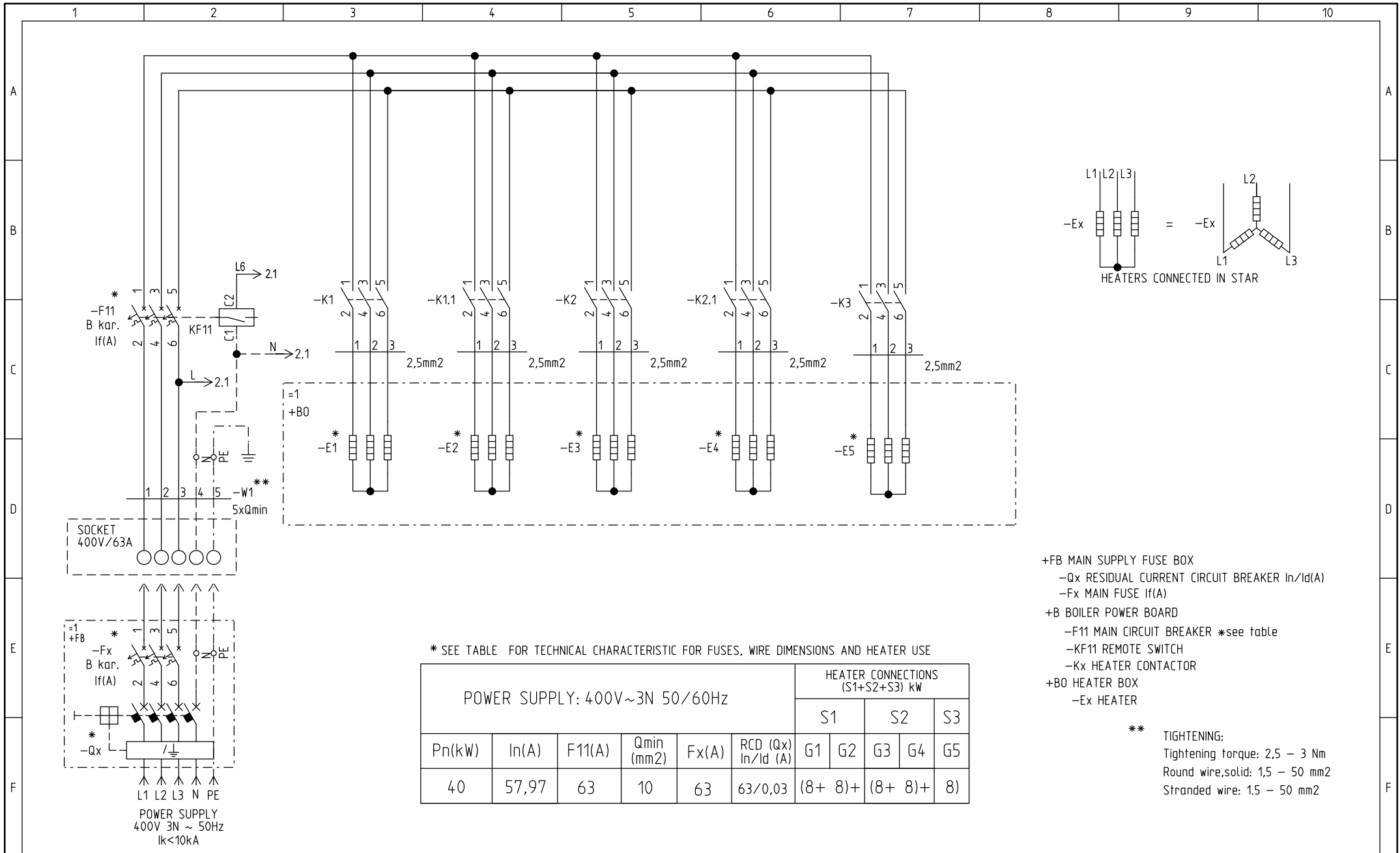
Designed by: Pletikosa T.  
Checked by: Gojkovic Z.

Project: TERMO KOMBI 40kW, 400V 3N ~ 50Hz

File name: 40kW 400VAC-E  
Date: 20.3.2020.

Page description: CONTROL  
Function: =1 Location: +B All pages: 3

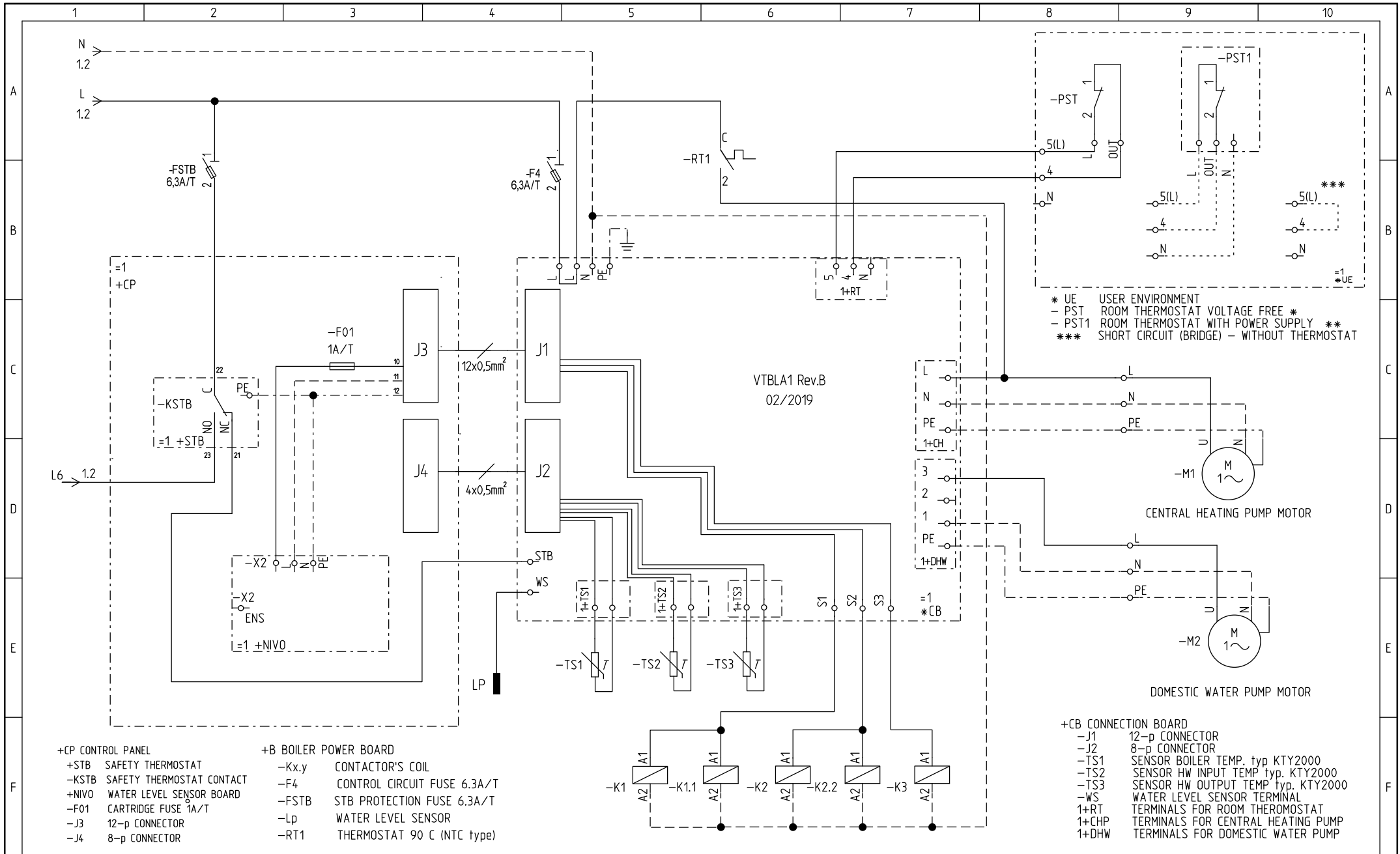
Page: 2  
Version: V07



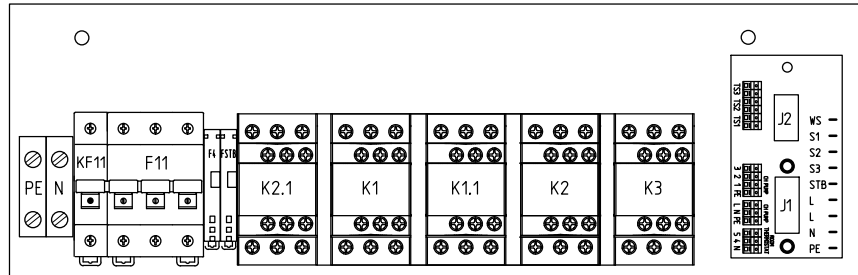
- +FB MAIN SUPPLY FUSE BOX
- Qx RESIDUAL CURRENT CIRCUIT BREAKER In/Id(A)
- Fx MAIN FUSE If(A)
- +B BOILER POWER BOARD
- F11 MAIN CIRCUIT BREAKER \*see table
- KF11 REMOTE SWITCH
- Kx HEATER CONTACTOR
- +BO HEATER BOX
- Ex HEATER

\*\* TIGHTENING:  
 Tightening torque: 2,5 – 3 Nm  
 Round wire,solid: 1,5 – 50 mm2  
 Stranded wire: 1,5 – 50 mm2

\* SEE TABLE FOR TECHNICAL CHARACTERISTIC FOR FUSES, WIRE DIMENSIONS AND HEATER USE



## MECHANICAL PLAN

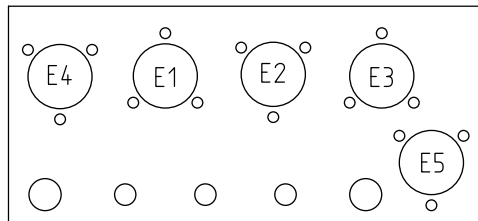


## POWER UP STEPS TABLE

STEP	HEATER GROUP			POWER [kW] Pn=40kW
	S1	S2	S3	
1.	<input checked="" type="checkbox"/>	<input type="checkbox"/>	<input type="checkbox"/>	16
2.	<input checked="" type="checkbox"/>	<input checked="" type="checkbox"/>	<input type="checkbox"/>	32
3.	<input checked="" type="checkbox"/>	<input checked="" type="checkbox"/>	<input checked="" type="checkbox"/>	40

OFF  
 ON

## HEATERS POSITIONS



E1 – K1  
 E2 – K1.1  
 E3 – K2  
 E4 – K2.1  
 E5 – K3