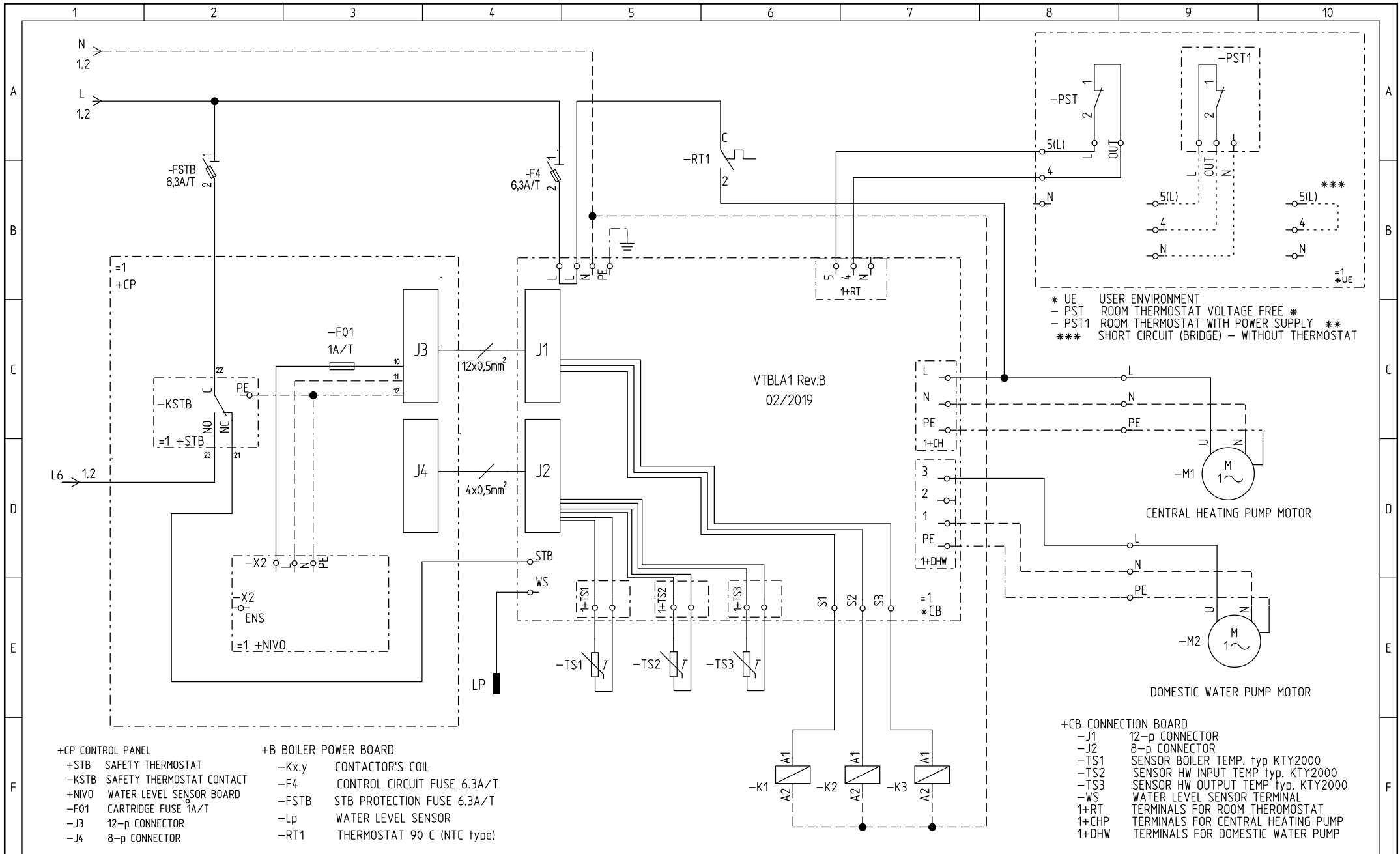
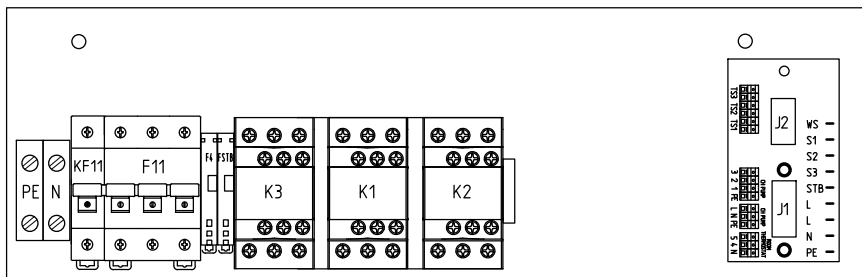


\* SEE TABLE FOR TECHNICAL CHARACTERISTIC FOR FUSES, WIRE DIMENSIONS AND HEATER USE

POWER SUPPLY: 400V~3N 50/60Hz						HEATER CONNECTIONS (S1+S2+S3) kW		
P <sub>n</sub> (kW)	I <sub>n</sub> (A)	F11(A)	Q <sub>min</sub> (mm <sup>2</sup> )	F <sub>x</sub> (A)	RCD (Q <sub>x</sub> ) I <sub>n</sub> /I <sub>d</sub> (A)	S1	S2	S3
18	26,12	40	6	32	40/0,03	(6)+	(6)+	(6)



## MECHANICAL PLAN

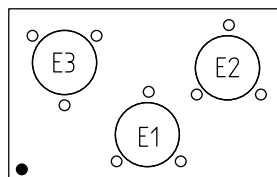


## POWER UP STEPS TABLE

STEP	HEATER GROUP			POWER [kW]
	S1	S2	S3	
1.	<input checked="" type="checkbox"/>	<input type="checkbox"/>	<input type="checkbox"/>	6
2.	<input checked="" type="checkbox"/>	<input checked="" type="checkbox"/>	<input type="checkbox"/>	12
3.	<input checked="" type="checkbox"/>	<input checked="" type="checkbox"/>	<input checked="" type="checkbox"/>	18

OFF  
 ON

## HEATERS POSITIONS



E1 – K1  
 E2 – K2  
 E3 – K3