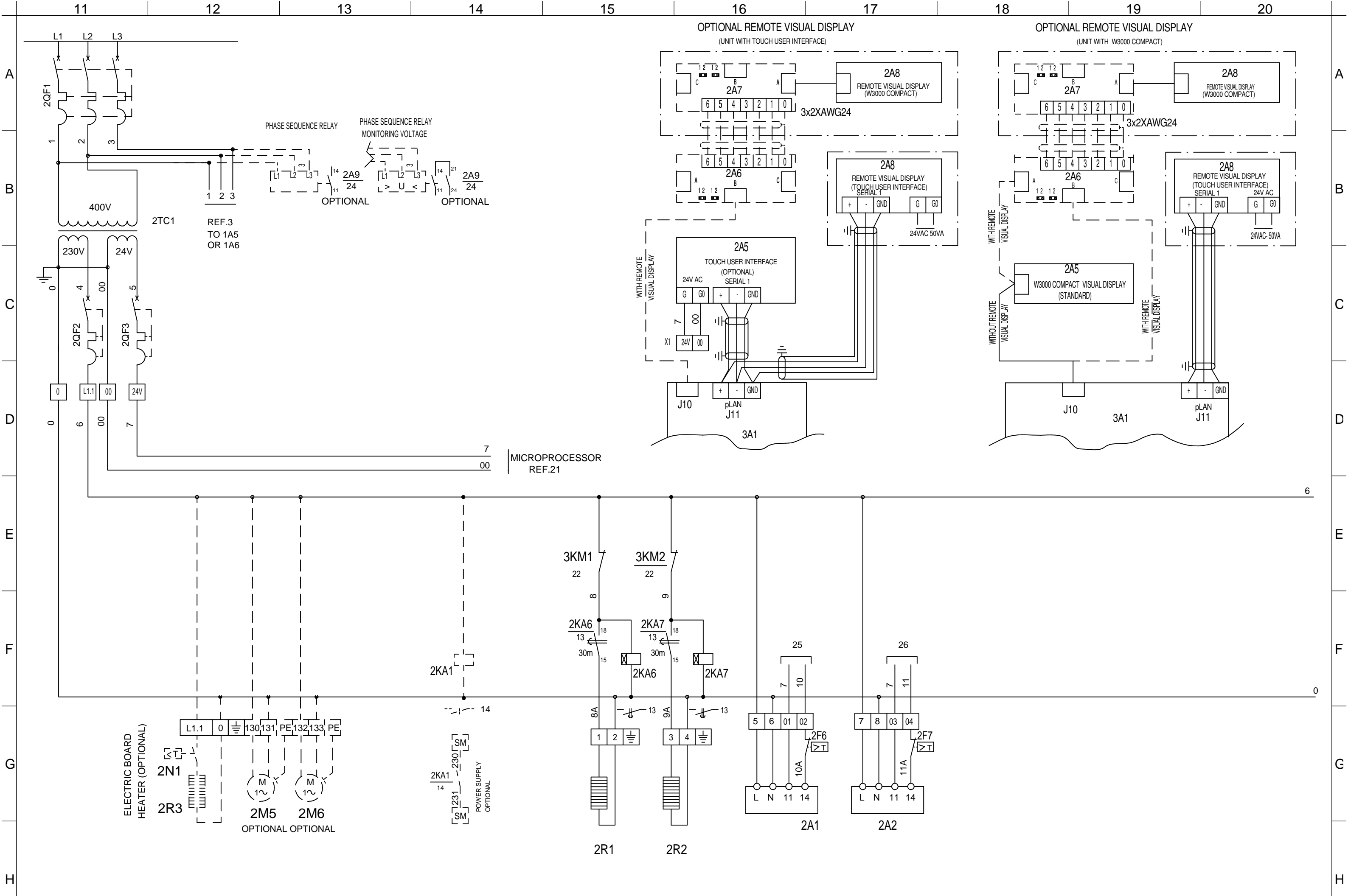


02	Add plant water light	20/01/2020	F. Boldrin
REV. N°	DESCRIPTION	DATE	DRAWN
DESCRIPTION: NX/D(-Y or -Z) 0302 LN-K Mobiheat Transport Käfig Fa. Mobiheat			DRAWING N° E1G1176048 -02 REV. N° SUBSTITUTES N°
DRAWN	F. Boldrin	DATE 25/10/2019	AUDITED P. Romor
SCALE	A3	BY TERM OF LAW THIS DRAWING CANNOT BE REPRODUCED WITHOUT OUR WRITTEN AUTHORIZATION	SHEET 1 OF 5
			CLIMAVENETA MITSUBISHI ELECTRIC HYDRONICS & IT COOLING SYSTEMS S.p.A.

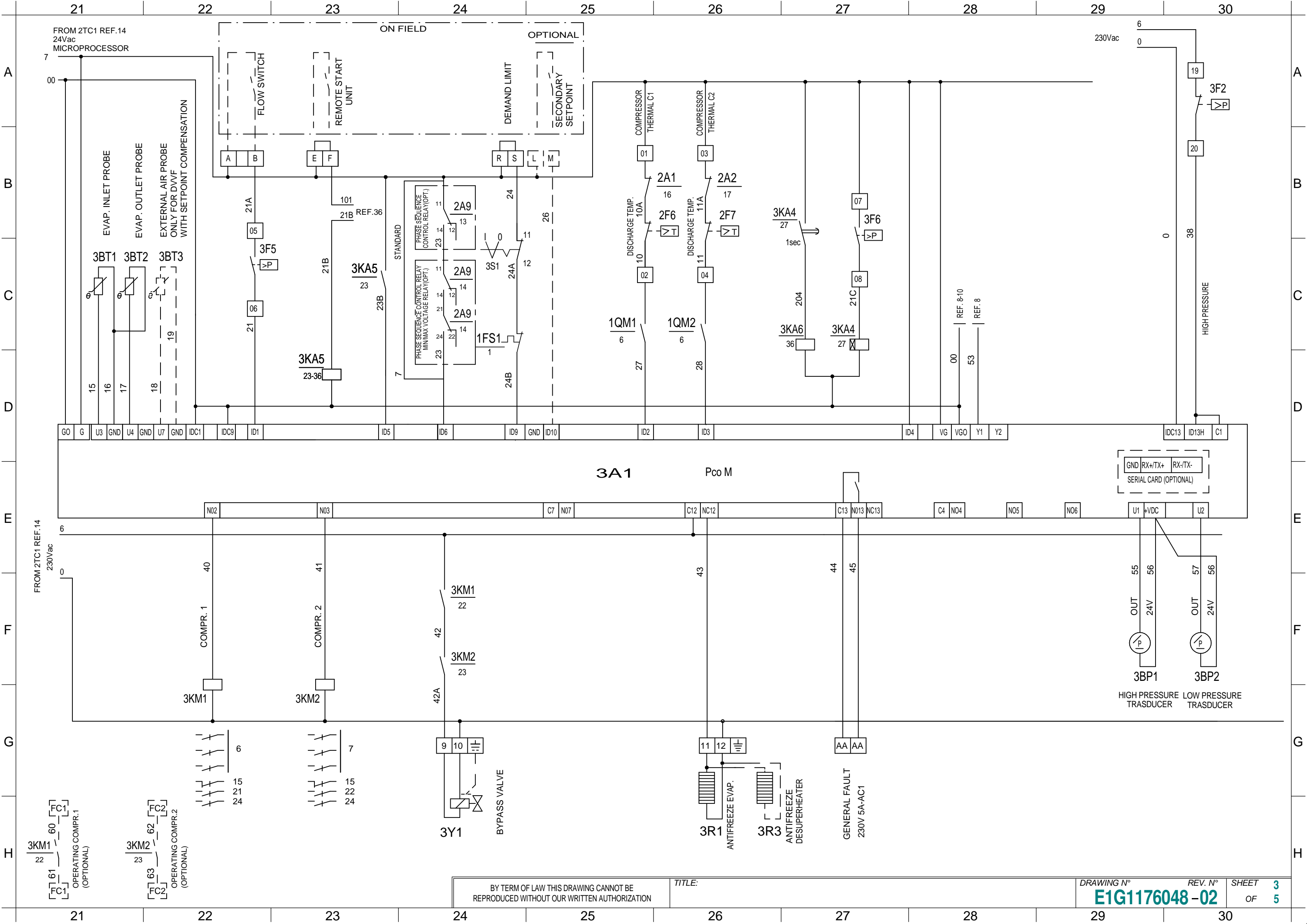
ATTACHED N.5 WIRING DIAGRAM



BY TERM OF LAW THIS DRAWING CANNOT BE REPRODUCED WITHOUT OUR WRITTEN AUTHORIZATION

TITLE:

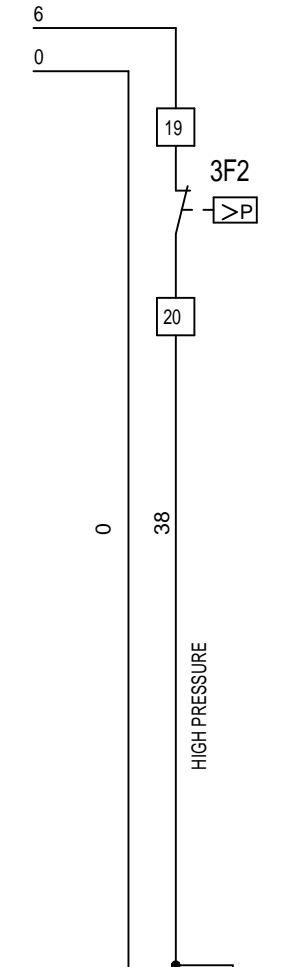
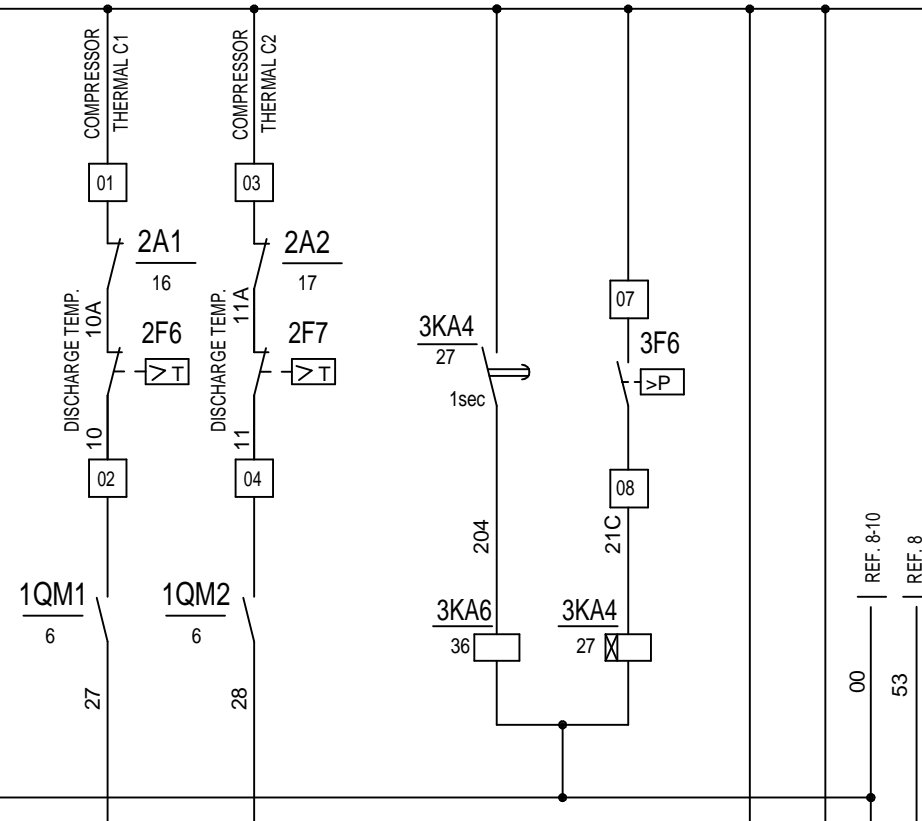
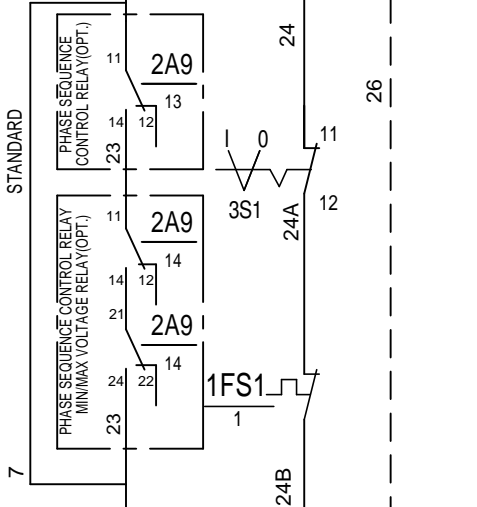
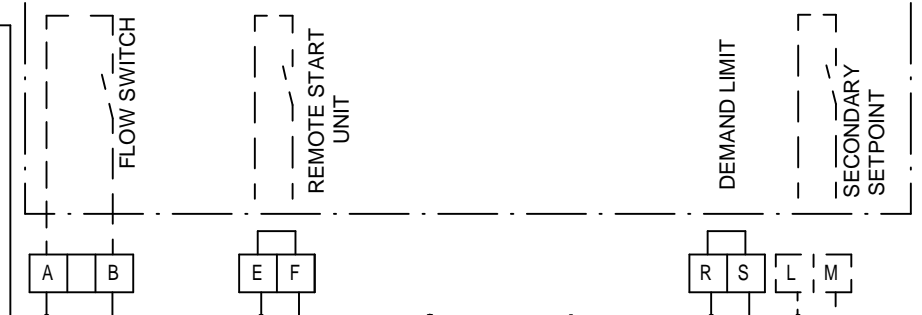
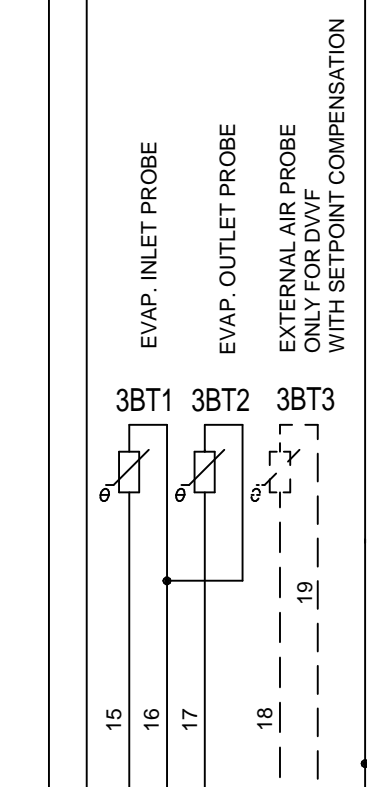
DRAWING N° E1G1176048-02 REV. N° SHEET 2 OF 5



FROM 2TC1 REF.14
24Vac
MICROPROCESSOR

ON FIELD OPTIONAL

230Vac



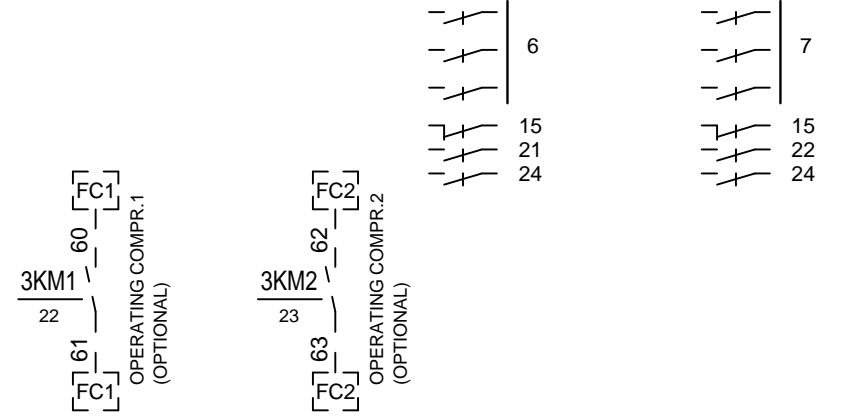
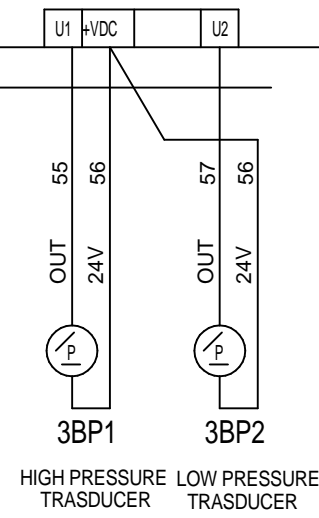
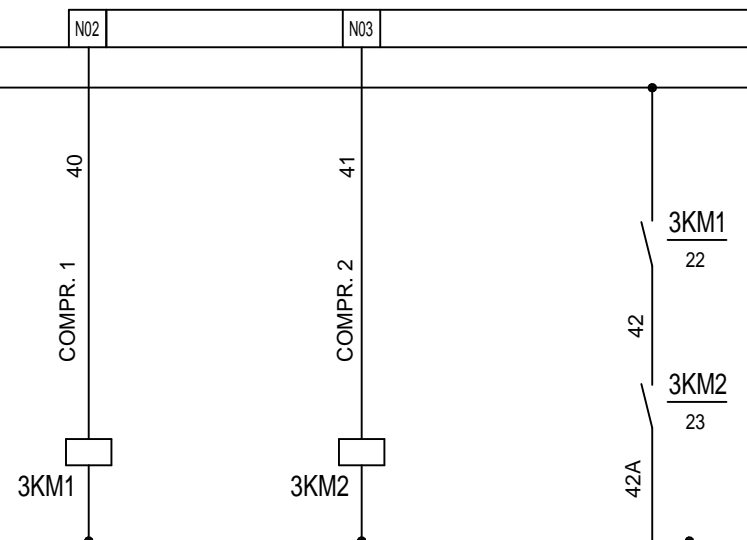
GO G U3 GND U4 GND U7 GND IDC1 IDC9 ID1 ID5 ID6 ID9 GND ID10 ID2 ID3 ID4 VG VGO Y1 Y2 IDC13 ID13H C1

3A1 Pco M

GND RX+/TX+ RX-/TX-
SERIAL CARD (OPTIONAL)

N02 N03 C7 N07 C12 NC12 C13 N013 NC13 C4 NO4 NO5 NO6 U1 +VDC U2

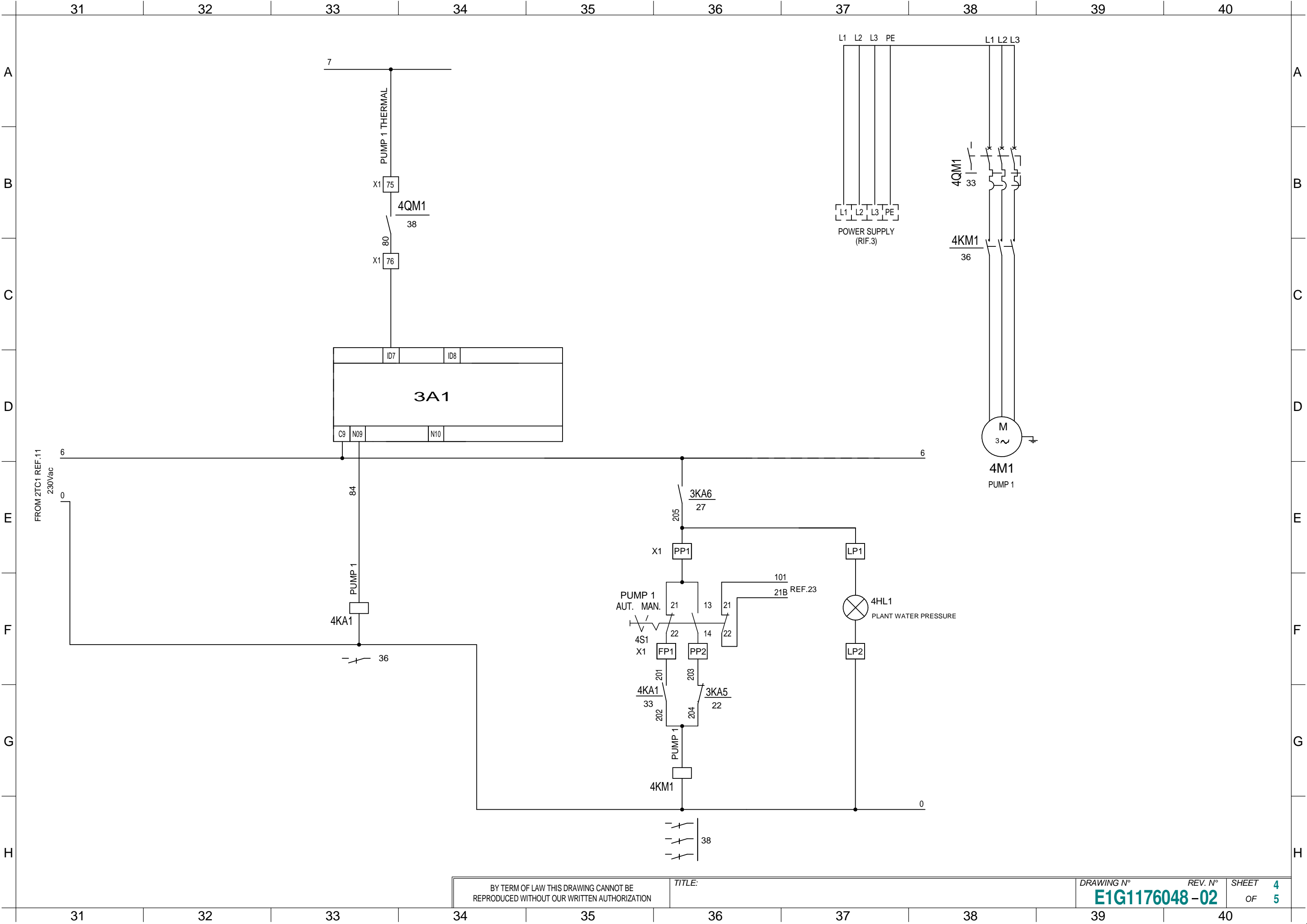
FROM 2TC1 REF.14
230Vac



BY TERM OF LAW THIS DRAWING CANNOT BE REPRODUCED WITHOUT OUR WRITTEN AUTHORIZATION

TITLE:

DRAWING N° E1G1176048-02 REV. N° SHEET 3 OF 5



BY TERM OF LAW THIS DRAWING CANNOT BE REPRODUCED WITHOUT OUR WRITTEN AUTHORIZATION

TITLE:

DRAWING N°
E1G1176048-02
 REV. N°
 SHEET **4**
 OF **5**

